

Ashlar-Vellum Channel Partner Newsletter September 2014

Welcome Pavel

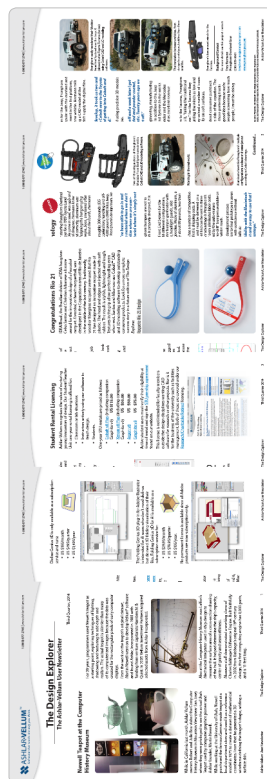


Pavel Ivanko has joined our team in Kiev where he is working as a database specialist on our Filemaker system. His life-long interest in science and math lead him to study radio-physics in at the University of Dnepropetrovsk in Eastern Ukraine. We look forward to utilizing Pavel's skills in designing databases and the tools in which to query them to benefit better communications with our customers.

Q3 Design Explorer

The third quarter edition of the Ashlar-Vellum user newsletter, *The Design Explorer*, was sent out this week. In this edition were:

- Newell Teapot at the Computer History Museum
- Graphite v9 SP1 R0
- Dieline Genius & Folding Genius for AI Released
- Graphite in the Cloud
- Student Rental Licensing
- Ashlar-Vellum Job Board
- User Tip: controlling Export Area for PDF in Graphite
- Congratulations Rio 21
- Updated Success Story: Mud, Snow, Sand Meet Technology



Congratulations Rio 21

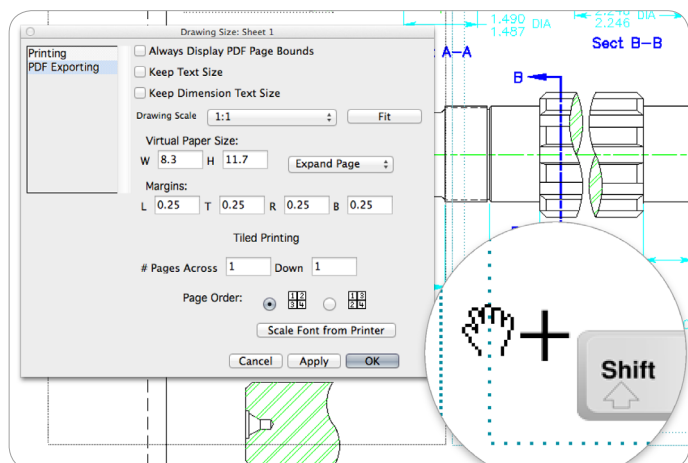
IDEA/Brazil, the Brazilian division of IDSA has given Celso Santos and Christian Albanese a bronze award for the innovative design of a *Frescobol* racquet. *Frescobol*, or beach racquetball, was developed in the Copacabana area of Rio de Janeiro in the middle of the last century. Traditionally, wood or fiberglass racquets were used. But Rio 21 has designed an innovative racquet made of plastic. The head and edges are injected with soft rubber. The result is stylish, lightweight and tough. Textures in the grip allow perfect handling even when wet. Santos and Albanese use Cobalt™ CAD and 3D modeling software to develop outstanding consumer products. Look for a more complete success story in a future edition of *The Design Explorer*.

Raquete Rio 21 Design



User Tip: Controlling Print Area for PDF in Graphite

When designating the printing area for a drawing in Graphite using the **Layout->Drawing Size** tool, when *Printing* is selected the black boundary box will easily move when dragged by the mouse. But the green boundary box does not seem to move when *PDF Exporting* is specified. Tip: Hold down the shift key when using the mouse to move the green boundary box designating the PDF area.

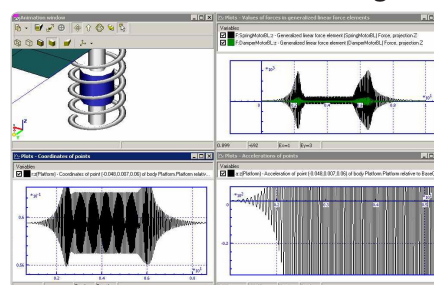


Whatever Happened To...

If you've been wondering what happened to our ideas for dynamic motion software and our IridiumTM FEA software, don't worry. They haven't gone away. They were just tabled for a bit, allowing Mac development tools to catch up with the market. Since the market is filled with products of this type running on the Windows platform, it only makes sense to conserve our resources for the Mac market where nothing like this is available and where having both Mac and Windows support with interchangeable files will be a significant factor to our success.

Dynamic Motion

In the summer of 2011 Ashlar-Vellum was seriously exploring dynamic motion analysis and presentation software with an eye toward a standalone product in the Design ElementsTM product line. It was intended to integrate closely with Cobalt and Iridium when running.



Dynamic motion goes beyond mere kinematic analysis, which only calculates the motion of 3D parts. Dynamic motion calculates motion of objects in relationship to forces, torques, inertia and gravity with defined joints, constraints, actuators, springs and dampers.

Ashlar-Vellum had selected a vendor with which to partner. Unfortunately the Delphi language compiler, for which a Mac version was imminently expected, is only just now being released. So with that new technology we continue toward the goal.

Iridium FEA

We've been planning for Iridium finite element analysis software since 2010. Unfortunately QT, the user interface software in which our selected partner had developed Iridium, was not robust enough on the Mac until just now. So again, we will be pursuing a new product in the near future.

