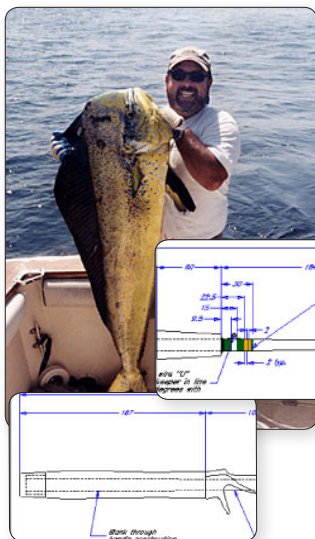
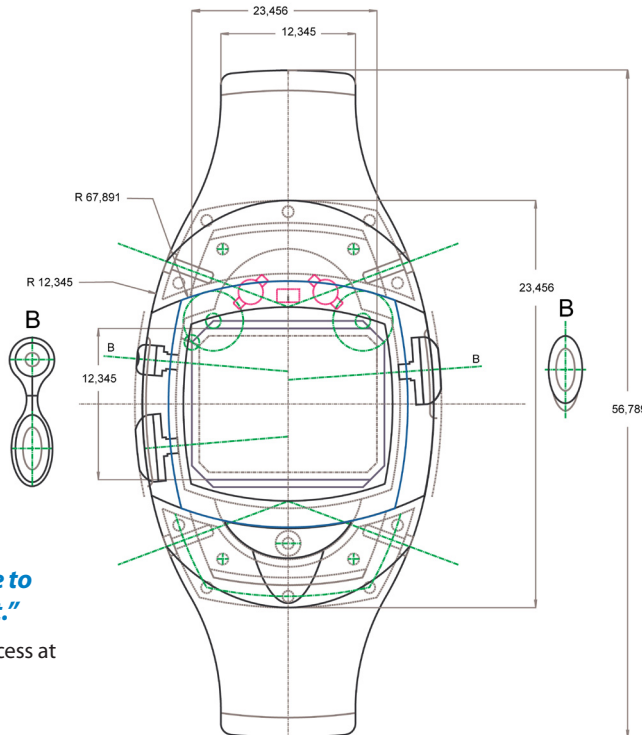


GRAPHITE™

Luc Heiligenstein designed this sports watch using both Ashlar-Vellum drafting and 3D modeling software.

“Graphite is a better 2D solution because it is easy to move parts around. You don’t have to be an engineer to run it.”

Read more about Luc’s success at www.Ashlar.com/success.



Chuck Villarreal, fishing gear designer for Cabela’s, lands an over 30 pound Mahi Mahi using gear designed in Graphite.

Across our product line, the uniting element is the magical feel of creative simplicity and efficient power. It anticipates your needs and quietly offers help without distraction or intrusion.

Graphite™ Computer-aided drafting the way it should be.™

Graphite offers extremely powerful, precision wire-frame drafting with the elegant ease-of-use that makes it productive even when only used occasionally. Running on Mac and Windows, Graphite provides an interface that lets creative people get the job done without worrying about how to run their software.

The Vellum® magic is addictive—ask any Ashlar-Vellum customer why they use our products and you’ll hear about “Vellumness.”



Fast Productivity

Cabela’s fishing gear designer, **Chuck Villarreal**, wasn’t thrilled about moving to CAD from his t-square and drafting board. He found it cumbersome and unwieldy to accomplish his designs... until he found Ashlar-Vellum Graphite.

“This program was so simple to learn I was productive in two days. Later, after attending training I became a rocket.”

Chuck Villarreal, Cabela’s.

Read more at www.Ashlar.com/success.

Graphite’s 2D Drafting

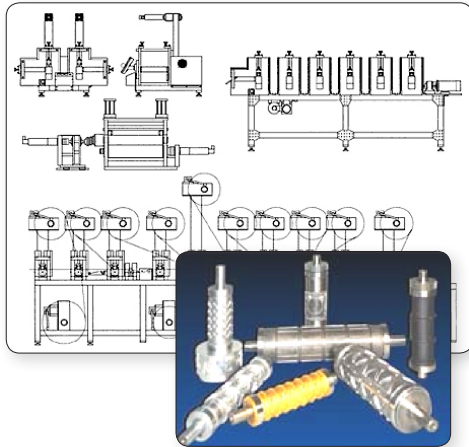
Precision drafting at its best:

- Revolutionary Vellum Drafting Assistant facilitates intelligent snaps and automatic alignments in X, Y and Z.
- Advanced 2D and 3D equation-driven parametrics promote design variations.
- Preview symbol panel lets you intelligently place symbols in space.
- Multiple dynamic views keep your design changes up to date.
- Smart wall tool intuitively interacts with architectural symbols to speed sketching.

Get the complete list of Graphite’s exceptional features at www.Ashlar.com/Graphite.

Nothing is faster or easier than Graphite.

Create drawings of unlimited complexity—get down to the details. There’s no limit to your creativity so why should there be a limit to your CAD software? Graphite lets you create 2D and 3D wire-frame drawings of unlimited complexity and precision detail.



“When I work, my thought is centered on the design of a product. With Ashlar-Vellum software I quickly get that idea on paper. If I had to use AutoCAD, I’d lose my train of thought.”

Wallace Beaudry, designer of these printing and die cutting machines and drums for Sohn Manufacturing.

Read more at www.Ashlar.com/success.

Conceptualize then create—

Graphite is great for those who want to explore initial design ideas with 2D sketches then create 3D wire-frame designs themselves, without the support or interference of a CAD operator “interpreting” their work.

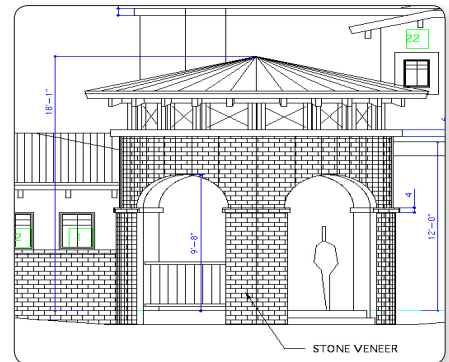
Design and invent—don’t be a CAD jockey. We can always tell when someone is not a candidate for Ashlar-Vellum products. They tell us that they “run such-and-such a CAD program,” taking great pride in their software’s difficulty. If operating an unwieldy CAD system is your highest calling, don’t buy Graphite. If changing the world through collaborating on new and innovative designs is more your style, then you’ve found the perfect tool.

Build or manufacture with confidence—Graphite’s precise data guarantees accurate drawings, speeding the manufacturing process.

Rise above the competition—leading design innovators share a common tool: Ashlar-Vellum products. From renowned jewelry designers in New York and Paris to athletic equipment companies in the Pacific Northwest, from Apple Computer to Scaled Composites, Cobalt’s flexibility frees creative people to focus on design.



Discover other designers and the products they’ve created with Graphite at www.Ashlar.com/success.

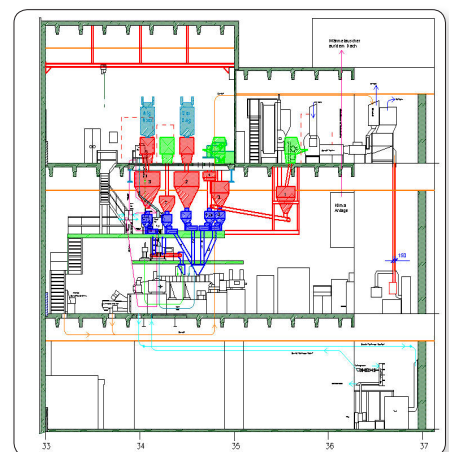


Detail of residential drawing done in Graphite by architect **Richard P. Threlfall**.

Graphite allows designers to communicate easily with advanced translation capabilities including DWG/DXF, IGES, PICT, BMP, and ClarisCAD (import only) to name a few.

“Graphite really increases my efficiency while allowing me to share files with designers working in other formats. I get my job done while simplifying the overall design process.”

Eivind Clausen is a senior designer for Allsop, Inc.



Factory Plan by **Walter Arnold**.