



GRAPHITE™ v7

Computer-aided drafting the way it should be.™

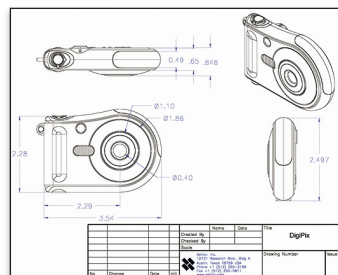
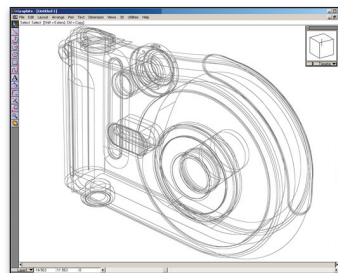
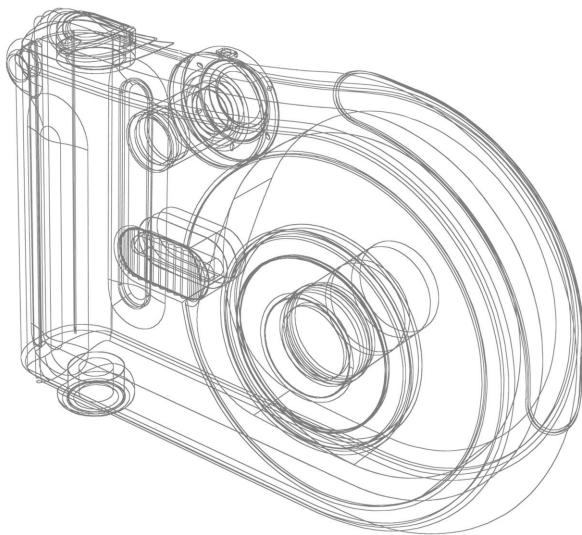
- Effortless and Fast Precision Drafting
- Easier to Learn and Faster to Use
- Accurate 2D and 3D Drafting to 16 Digits
- Intuitive Classic Vellum® Interface
- Revolutionary Vellum Drafting Assistant for Intelligent Snaps and Automatic Alignments in X, Y, and Z
- Unique Hybrid Mac/Windows Office/Home Licensing
- Advanced 2D and 3D Equation-driven Parametrics
- Intelligent, Parametric Symbols from any Geometry
- Multiple Sheet/Model Drawings
- Over 10,000 Architectural and Mechanical Symbols with Preview Panel
- Flexible and Dynamic Dimensioning to ANSI, JIS, ISO, BAE, DIN, and ASME GD&T Standards
- Multiple Dynamic Views
- True 32-bit, Seamless Macintosh and Window Compatibility
- Precision Import/Export Translators Including IGES and DXF
- Bill of Materials
- 2D Analysis: Area, CG, Moments
- Dynamic Detail Views
- Spellcheck

General Features

- 16 Place Floating Point Accuracy
- Hybrid Mac/Windows Office/Home Licensing
- Infinite Pan and Zoom
- 256 Layers with Grouping Control
- 234 Colors, 170 User-definable from a Palette of 16.7 Million
- Unlimited Drawing Size
- Unlimited Number of Objects
- Multiple Sheet Views

User Interface

- Intuitive Vellum Interface
- Drafting Assistant™ for Automatic Snaps and Alignments
- Smart Cursor Changes Shape Indicating Active Tool and Operations
- Strokes and Short Cuts Provide Instant Access to Commands
- Status Line to Specify Object Parameters
- Message Line Provides Tool Feedback, Instructions, and Options
- World and User-defined Coordinate Systems
- All Data Entry Fields can Perform Numeric Calculations
- Edit Objects Dialog Box
- Object Grouping and Locking
- TrackBall for View Selection and Dynamic or Cube Rotation
- Axis Locking
- Orbit Tool
- Nudge Tool Moves Selected Items a User-definable Distance
- Selection Mask for Easier Selection of Specific Entity Types
- Grid (User-definable)
- Layer Manager
- Macros to Assign Keys or Strokes to Repetitive Tasks
- Selection Tools:
 - Fence
 - Crossing/Intersecting Line
 - Enclosed Polygon
 - Automatic Boundary Detection



Designer Nelson Au won the Design-Engine International Photoreal Electronics Competition's Grand Prize for his Digi-Pix camera design in Ashlar-Vellum software. Read more about Nelson's success at www.Ashlar-Vellum.com/success.

GRAPHITE™ v7

Drawing Tools

- Wireframe Creation Tools:
 - Point
 - Line
 - Connected Line
 - Arc
 - Circle
 - Ellipse
 - Rectangle
 - Polygon
 - Through-point Spline
 - Vector Spline
 - Extrude
 - Revolve
 - Smart Walls
- Wireframe Editing Tools:
 - Fillet
 - Chamfer
 - Trim
 - Relimit
 - Break
 - Offset
- Add Spline Points
- Modify Spline Slope
- Intersect Two Curves
- Construction Lines
- Offset, Divide
- Insertion of Architectural Symbols in Smart Walls with Auto Healing
- Auto Healing of Intersections in Smart Walls

2D Drawing Creation

- Customizable Layouts
- Smart Dimension Tool Automatically Creates the Appropriate Dimensions
- Dimensions:
 - Linear
 - Angular
 - Diametric
 - Radial
 - Baseline Method
 - Chain Method
 - Ordinate (Datum Method)
 - Circle Center Marking
- Standard and User Definable Tolerances and Settings (ANSI, DIN, ISO, JIS, Dual, Architecture, and Stacked Fraction)

- Hatch and Fill Patterns
- Line Weights, Colors, and Styles
- Geometric Dimensioning & Tolerancing (GD&T)
- Dynamic or Static Dimensioning

2D Analysis

- Perimeter
- Area
- Weight
- Centroid
- Moments of Inertia

Parametric Constraints

- 2D/3D
- Equation-driven
- Creates Smart Formula-driven Symbols

Symbol Libraries

- Mechanical
- CAD
- ANSI
- DIN
- Reference of Instances Offers Updates Upon Re-entry
- Thousands Included
- Panel Provides Click-through Viewing of All Directories Prior to Loading

Views

- Multiple
- 3D
- Detail
- Dynamically Linked

Additional Drafting Tools

- Automated Bill of Materials
- Symbols Panel
- Multiple Sheets per Document
- Spell Check Includes User Dictionary and Many Foreign Languages
- Navigator Palette
- Plotter Font
- Models
- Movie (Mac only)

Text Tools

- Text:
 - Multi Line or Paragraphs
- Autotext Forms
- Normal
- At an Angle
- Set Font, Size, Color

General Transform Tools

- Move
- Linear Duplicate
- Rotate
- Polar Duplicate
- Scale (Uniform)
- Mirror

Import/Export

- DWG/DXF
- IGES
- EPS
- Spline (Import Only)
- ASCII Text
- Claris CAD (Import Only)
- BMP (Windows only)
- WMF (Windows only)
- PICT (Mac Only)
- Attributes

Batch File Conversions

- Via Convert Command
- Per Directory

Available Accessories

- Graphite Share™ for Viewing, Printing and Exporting at Client or Manufacturing Site (Free)
- Apple Mac OS X Tiger Spotlight Plug-in (Free)
- Graphite *Tips & Tricks* Book
- Tutorials (Free)

Recommended System

- Windows / Macintosh
- Windows NT/2000/XP
- Mac OS 9.2
- Mac OS X 10.2 or later
- 256 MB RAM
- 250 MB Free Hard Drive Space
- CD-ROM Drive